

## Center Hung Pivots Sets

### 0127 Pivot Set - Center Hung

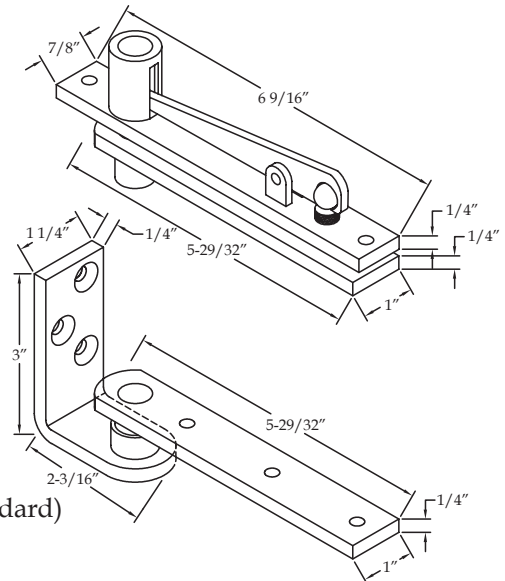
#### Standard Features

- 0320 Top Pivot
  - Frame leaf mortises into header
  - Door leaf mortises into top of door
- 0127 Bottom Pivot
  - Bottom leaf mortises into side jamb and rests on floor
  - Door leaf mortises into bottom of door
- Non-handed
- Pivot set is centered into the door thickness
- Maximum door load - 200 pounds
- Maximum door size - 42" x 102"

#### Options

- Can be used with ABH® Rescue Hardware - see Section "J"
- EXTS - Extended Spindle on bottom pivot (up to 2" longer than standard)
- EXTP - Extended Pin on top pivot (up to ¾" longer than standard)
- SEC - Security fasteners
- B - Bottom pivot only (no top pivot)

Meets or exceeds  
ANSI C07042



### 0128 Pivot Set - Center Hung

#### Standard Features

- 0320 Top Pivot
  - Frame leaf mortises into header
  - Door leaf mortises into top of door
- 0128 Bottom Pivot
  - Bottom leaf mounts on top of finished floor
  - Door leaf mortises into bottom of door
- Non-handed
- Pivot set is centered into the door thickness
- Maximum door load - 250 pounds
- Maximum door size - 42" x 102"

#### Options

- Can be used with ABH® Rescue Hardware - see Section "J"
- EXTS - Extended Spindle on bottom pivot (up to 2" longer than standard)
- EXTP - Extended Pin on top pivot (up to ¾" longer than standard)
- SEC - Security fasteners
- B - Bottom pivot only (no top pivot)

Meets or exceeds  
ANSI C07032

